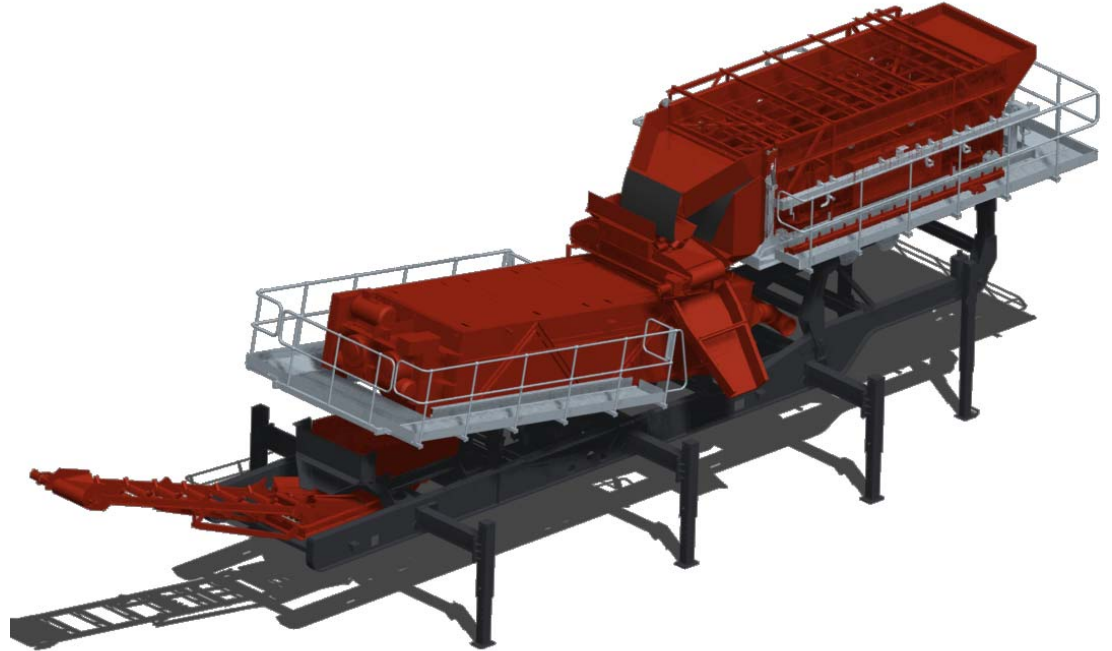



MP-300 Mobile Washplant



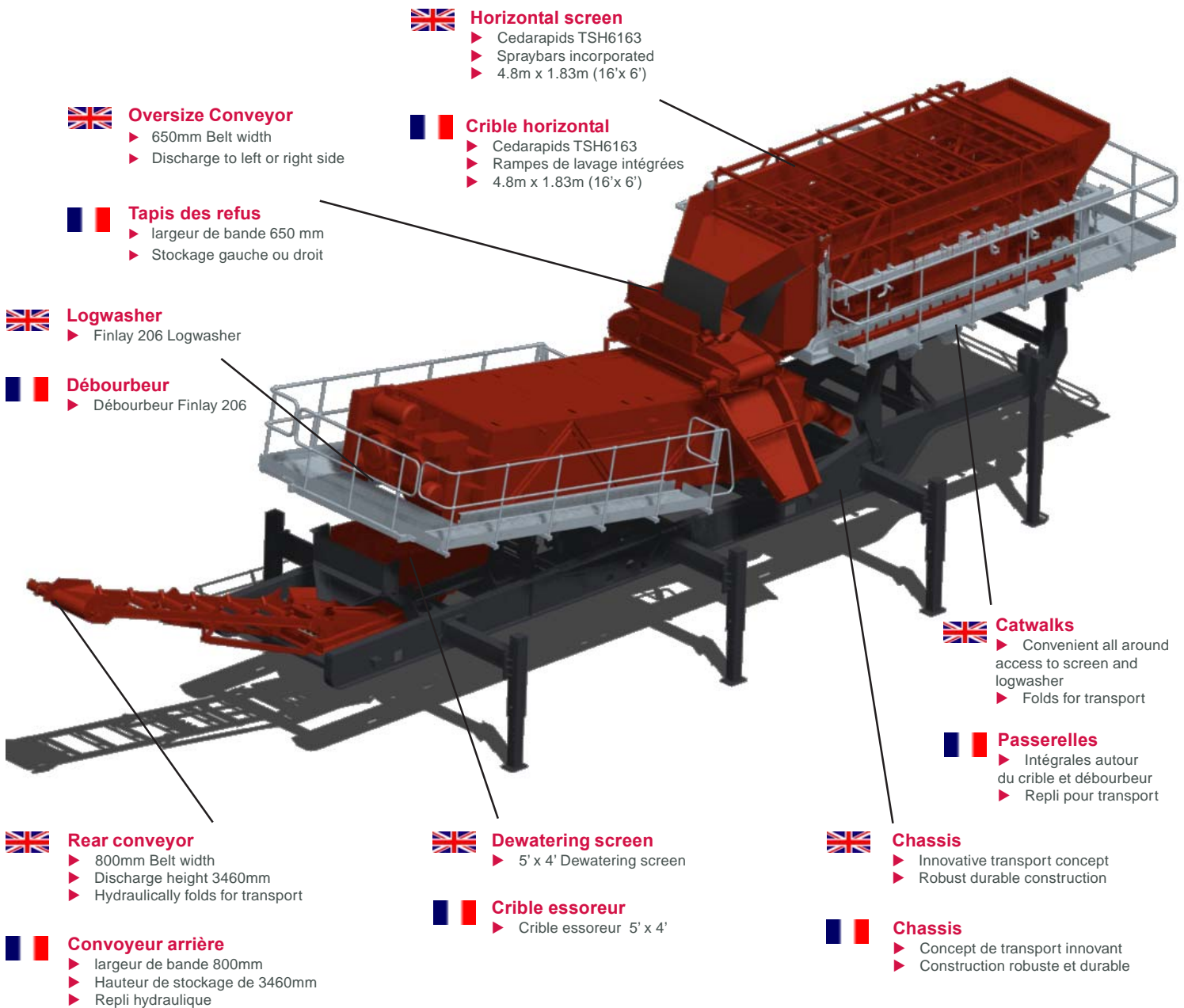
 **MP-300 Mobile Washplant**

- ▶ Conveniently Packaged -
 - Cedarapids 16' X 6' screen
 - 206 Logwasher
 - Dewatering screen
 - Oversize conveyor
 - Rear conveyor
- ▶ Rapid Connection to other TEREX Finlay plant to form complete mobile washing solutions
- ▶ Extremely mobile system with high production capacity making smaller contracts viable
- ▶ Quick and easy to install not requiring major civil works
- ▶ Supplements existing plants on a temporary basis during demand surges
- ▶ Standard connections and inter-compatibility
- ▶ Single plant can service several small deposits by moving plant around

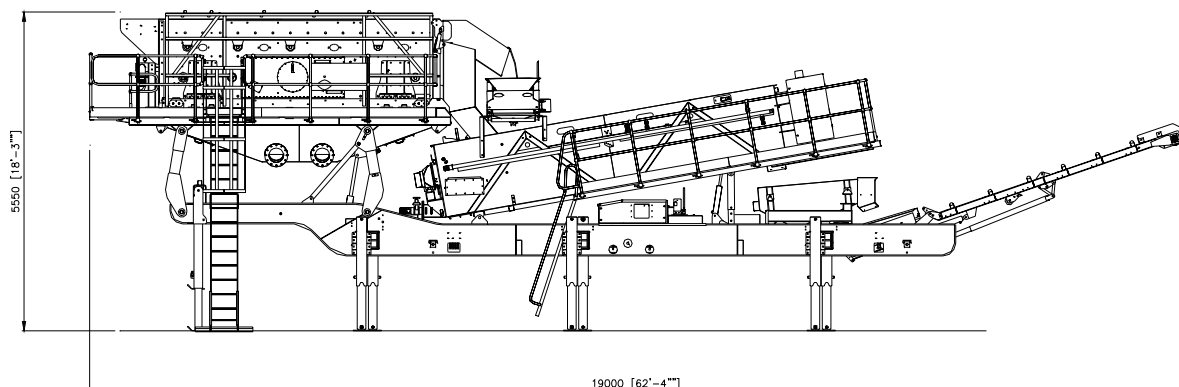
 **MP-300 Installation mobile de lavage**

- ▶ Assemblage judicieusement proportionné
 - Crible Cedarapids 16'x6'
 - Débourbeur 206
 - Crible essoreur
 - Convoyeur des refus
 - Convoyeur arrière
- ▶ Rapidité d'intégration au sein d'installation Terex Finlay existante pour un solution complète de lavage
- ▶ Système mobile avec grande capacité de production rentabilisant les petits chantiers
- ▶ Simple et rapide à mettre en oeuvre sans nécessité de lourd travaux de génie civil
- ▶ Installation d'appoint temporaire en cas de forte demande
- ▶ Raccordement standard et inter-compatibilité Installation mobile pouvant travailler sur plusieurs depots

MP-300 Mobile Washplant | MP-300 Installation mobile de lavage



Working Position | Mode travail



Transport Dimensions/Dimensions transport: 16.1m (52'10") Long x 4.1m (13'7") High x 3.0m (9'10") Wide